



Fyreguard

Specialists in
Passive Fire
Protection

Product Data Sheet Fyreguard Drop-In Panel Fire - Rated Access Panel FRL 60/60/60

Sheet No:-
FGP 1898

Description

FYREGUARD DROP-IN PANELS are designed to sit flush with the ceiling surface and provide a FRL 60/60/60 to meet the requirements of incipient spread of fire.

Uses

FIRE RATED ACCESS PANELS provide access to services that are concealed behind Fire Rated Ceilings.

Sizes

Standard Size is 500x500mm maximum size 700x500mm. Panels can be manufactured to suit smaller openings.

Packaging

Panels are supplied with all angles, screws and fixings for on site installation.

- Panels with angle fixed.
- 2 Slotted metal angle.
- 4 Setting beads.
- 6 Fixing Screws.

Fire Rated Data

Fyreguard Drop In Panel meets the requirements of Australian Standards AS 1530.4 and provides an FRL 60/60/60.

Installation

Fyreguard Drop In Panel is designed to fit between Ceiling Joints or Trusses which are set at 600mm centres. Trim ceiling sheeting approximate 30mm from side of truss to allow fitting of 25x25 fixing angle (B) to sides of truss. Using panel as a template complete trimming of opening & fix setting bead (C) to ceiling sheeting to provide a 2mm clear opening around panel. Flush off bead. Check that panel sets flush with ceiling. Make any final adjustments & install permanent fixing screws (D).

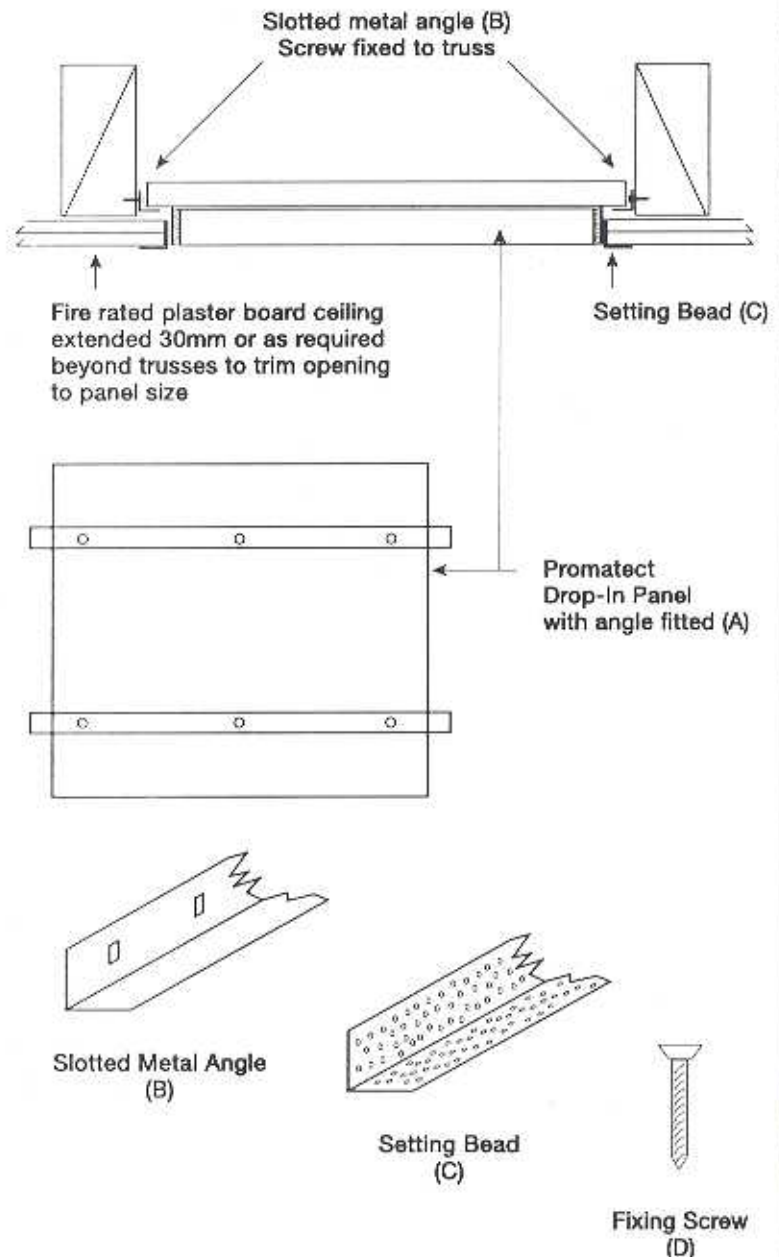
Note: Access Panels can be fitted during construction or retrofitted as required to existing ceiling.

More Data

For further information about hinged or screwed fire rated hatches in the Fyreguard Hatch range please contact your nearest Fyreguard Office. We reserve the right to change specification without notice.

Fyreguard is not responsible if recipients of fire test reports, assessments or literature incorrectly interpret the contents and use products based on those interpretations.

Note: Drop-In Panels are designed to fit between trusses or furring channels



GOLD COAST OFFICE

2/8 Hampton Road
Burleigh Heads Qld 4220
Phone: (07) 5593 4955
Fax: (07) 5593 4349

BRISBANE OFFICE

178 Granite Street
Geebung Qld 4034
Phone: (07) 3865 4422
Fax: (07) 3265 5421