



Fyreguard

Specialists in
Passive Fire
Protection

Product Data Sheet Fyreguard Fire Rated Hatch FRL 60/60/60

Sheet No.:
FGCH-99

Description

FYREGUARD-HATCHES are designed to sit flush with the ceiling or wall surface leaving a narrow opening joint around the face. The hatch is secured with a locking key or can be individually keyed for maximum security.

Users

FYREGUARD-HATCHES are both fire rated and standard. All hatches have fully concealed hinges and provide lockable security access to services. The hatches can be installed during construction or after the wall or ceiling has been lined.

Sizes

Both FYRE-HATCHES and standard hatches can be manufactured to suit individual requirements.

The maximum size of a FYRE-HATCH is:

700mm x 700mm

Stock sizes of standard hatches are:

600mm x 600mm

530mm x 530mm

450mm x 450mm

300mm x 300mm

Installation

See back of sheet for installation details.

Specification

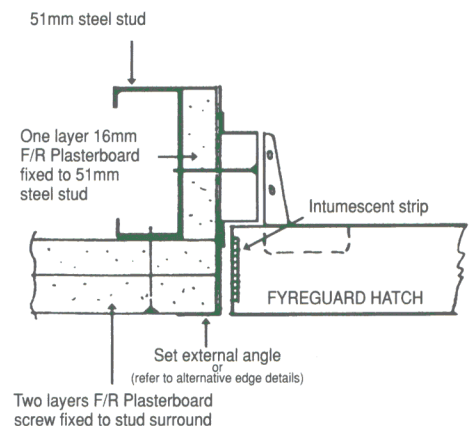
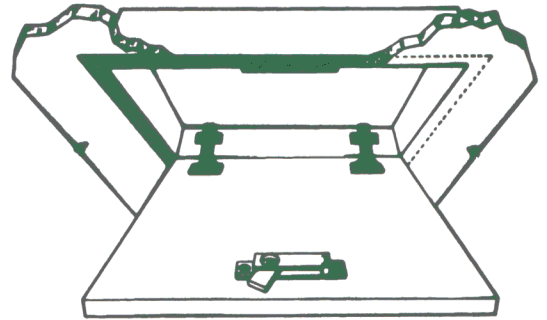
Install Fyreguard Fire Rated Hatch to wall/ceiling as indicated on drawings to manufacturers instructions. For ceilings ensure the supporting framework is independently supported with hangers from the building structure and the hatch weight is not taken by the ceiling. All work to be certified by the installer in an approved manner.

Fire Test Data

FYRE-HATCH has been tested to Australian Standard AS 1530. 4 and attained an FRL of 60/60/60; including incipient spread of fire.

More Data

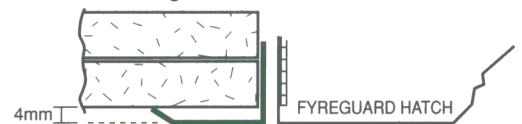
For data on access hatches and panels to suit other fire rated wall and ceiling systems contact your nearest Fyreguard Qld office. We reserve the right to change specifications without notice.



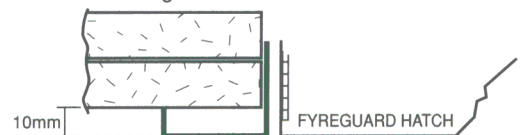
EDGE DETAIL
FYREGUARD ONE (1) HOUR HATCH
FLUSH FITTING - CONCEALED HINGES-
RIM LOCK

ALTERNATIVE EDGE DETAILS

Feathered Flange



Standard Flange



FYREGUARD QLD PTY LTD IS NOT RESPONSIBLE IF RECIPIENTS OF FIRE TEST REPORTS, ASSESSMENTS OR LITERATURE INCORRECTLY INTERPRET THE CONTENTS OR USE PRODUCTS BASED ON THOSE INTERPRETATIONS.

GOLD COAST OFFICE

2/8 Hampton Road
Burleigh Heads Qld 4220
Phone: (07) 5593 4955
Fax: (07) 5593 4349

BRISBANE OFFICE

178 Granite Street
Geebung Qld 4034
Phone: (07) 3865 4422
Fax: (07) 3265 5421



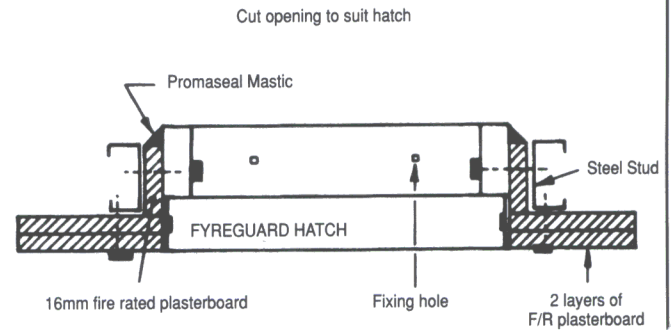
Fyreguard

Specialists in
Passive Fire
Protection

INSTALLATION INSTRUCTIONS

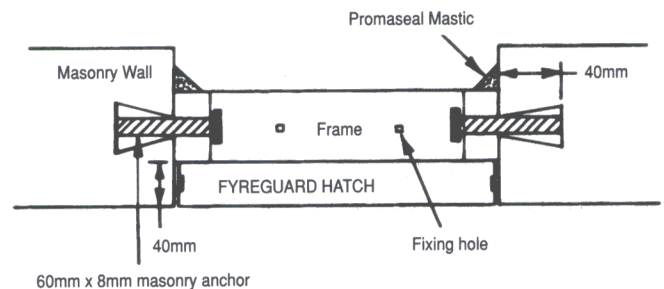
FYREGUARD 1 HOUR FIRE RATED CEILING HATCH FIXING INSTRUCTIONS

1. Mark and cut out opening in ceiling - to match dimensions of Hatch (eg 600 x 600).
2. Cut and place 51mm steel stud trimmers 16mm back from edge of opening. Position 16mm fire rated plasterboard facing strips on face of stud and screw fix.
3. Place external angle bead around opening. Lift hatch into position check external bead lines up with edge of hatch and the opening is the correct size. Remove hatch and "set" external angle.
4. Mark line at level of door frame above opening. Open hatch and secure into frame surrounds to this line. Close and check hatch door is positioned correctly, drill and fix permanent screws (Minimum 2 fixings per side).
5. Seal around hatch frame surrounds and fire rated plasterboard with Promaseal Mastic
6. Connect safety chain & lock hatch door.



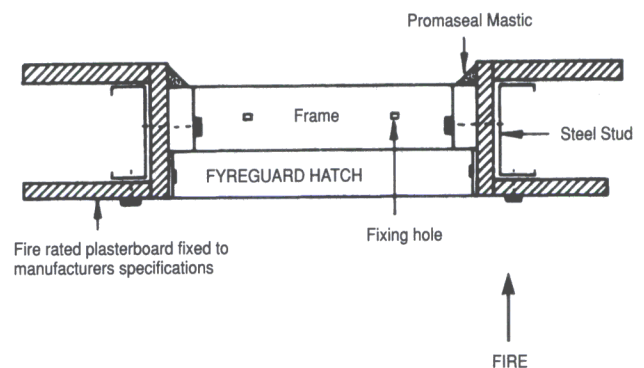
FYREGUARD FIRE RATED HATCH IN MASONRY WALL FIXING DETAIL

1. Match Fyre-hatch to wall opening.
2. Mark line at level of door frame in from face of opening. Open hatch door and secure frame surround through hole in to masonry with 60 x 8mm masonry anchors (Minimum 2 Fixings on opposite sides).
3. Seal around hatch frame surround and masonry using Promaseal Mastic
4. Shut hatch and engage lock.



FYREGUARD FIRE RATED HATCH IN LIGHT WEIGHT WALL FIXING DETAIL

1. Frame Opening with 51mm steel stud and trim with 16mm fire rated plasterboard to required opening size.
2. Match Fyre-Hatch to wall opening.
3. Cut and place external angle bead around opening. Lift hatch into position check external bead. Remove hatch and "set" external angle.
4. Mark line at level of door frame in from face of opening. Open hatch door and secure frame surround into steel stud frame with 45 x 8 SF screws.
5. Seal around hatch surround and fire rated plasterboard with Promaseal Mastic
6. Shut hatch and engage lock.



NON-RATED HATCHES ARE INSTALLED AS ABOVE WITHOUT THE USE OF PROMASEAL MASTIC AND WITH ADJUSTMENTS FOR LID THICKNESS