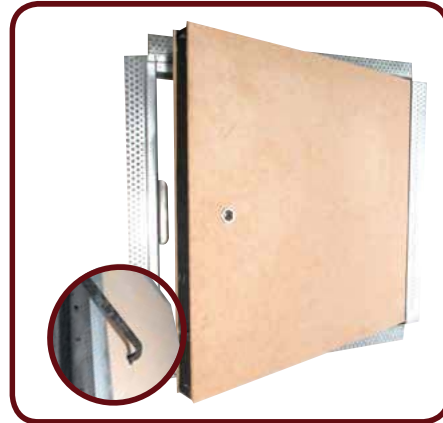




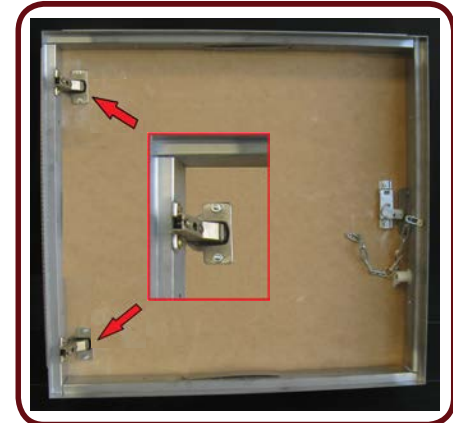
## 90 MINUTE, WALL, CONCEALED HINGE, ACCESS HATCH



**FEATHERED FLANGE**



**SETTING BEAD**



**CONCEALED HINGES**

### GENERAL

The Fyreguard WH - FYREHATCH is designed to provide a flush set or flanged fire rated access hatch for wall applications where access is required, while still maintaining at least a 90 Minute fire rating. The WH - FYREHATCH sits flush with the wall lining and has concealed hinges to limit visual impact. The panel is secured by a rim lock with a key provided or can be individually keyed for maximum security.

### USES

The WH -FYREHATCH is used in fire rated walls where access is required for service installations or maintenance.

### SIZES

The maximum size is 1200x700mm.

Stock sizes are: 300x300, 400x400, 450x450, 530x530 & 600x600mm

Non standard sizes are available on request.

### FIRE TEST DATA

The 90 Minute WH - FYREHATCH has been tested and assessed to Australian Standard AS1530.4 to provide a n FRL of -/90/60. Please contact your nearest Fyreguard office for further information.

### KEY FEATURES

- **Product fit for purpose to meet the requirements of NCC (BCA)**
- **Wall application**
- **Simple Installation**
- **Australian Made**
- **Non Standard sizes available**
- **Flush fitting to Wall**
- **Concealed Hinges**

### SPECIFICATION

Fyreguard WH - FYREHATCH FRL -/90/60 fire rated access hatch. Wall Application.  
PH. 07 55934955

### INSTALLATION

Refer to following pages of this data sheet for installation instructions or contact your nearest Fyreguard office for assistance.

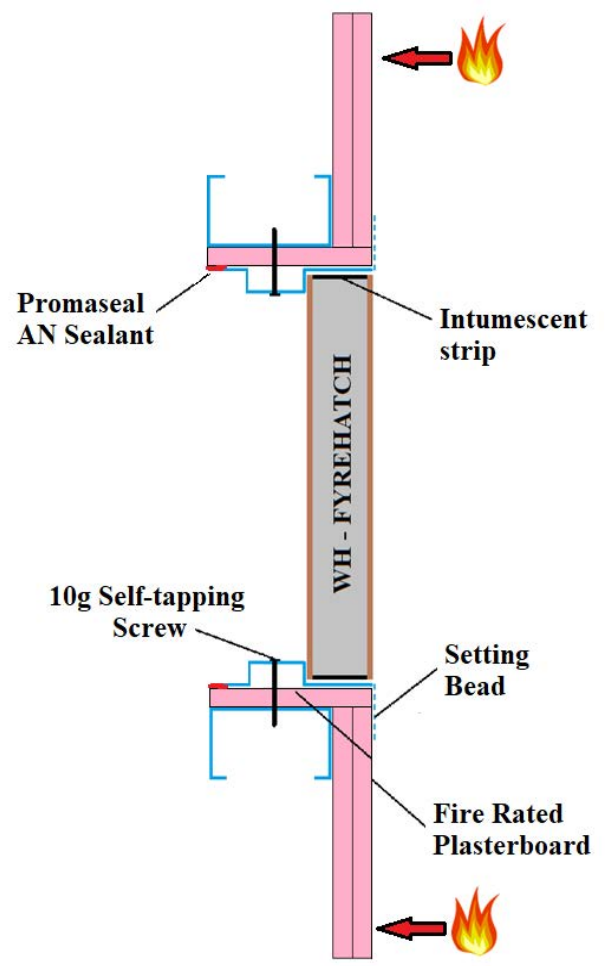
### ARCHITECTURAL

Refer to following pages of this data sheet for dimensions of frame, profile and panel.

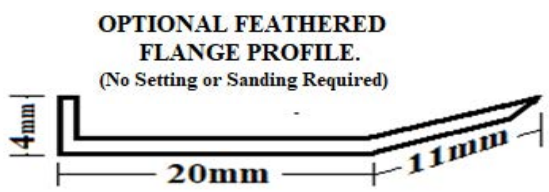
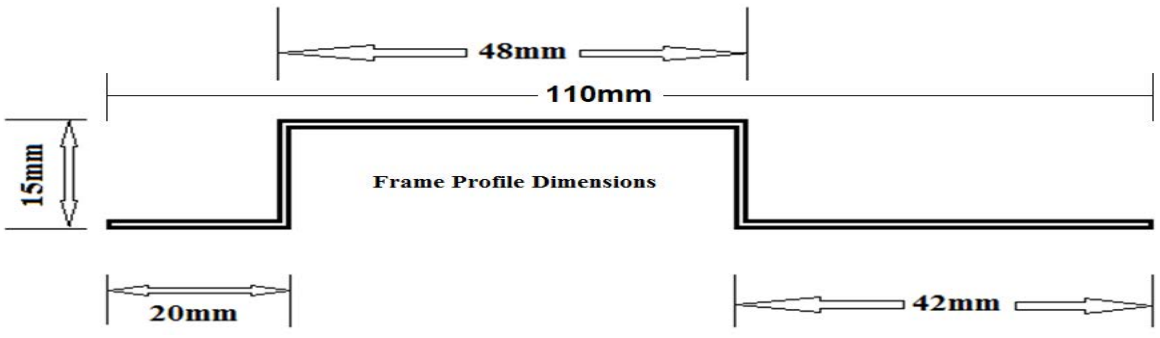
## INSTALLATION INSTRUCTIONS

### 90 MINUTE, WALL HINGED, FIRE RATED ACCESS HATCH FIXING DETAIL:

1. Mark out and cut opening in the wall. NB. Trimmed opening to be 4mm (Nom.) greater than hatch intended to be installed.
2. Frame opening with steel studs or trimmers. Ensure studs or trimmers are connected to studs or wall support system. Line the studs or trimmers with fire rated board of the same thickness as the fire exposed face.
3. Match access panel to the opening.
4. Open the hatch/panel and secure frame to the studs or trimmers with steel screws on all 4 sides of the hatch in the holes provided. For masonry installations use 60x6mm masonry anchors. For 'Set Bead' installations remove the hatch/panel and flush set. Return hatch/panel into the frame and test operation. Ensure the hinge screws are tightened.
5. While the hatch/panel is open apply fire rated mastic sealant to any gaps between the access hatch frame and the inside reveal of the wall opening.
6. Close the hatch/panel and engage the lock.



### ARCHITECTURAL DETAIL



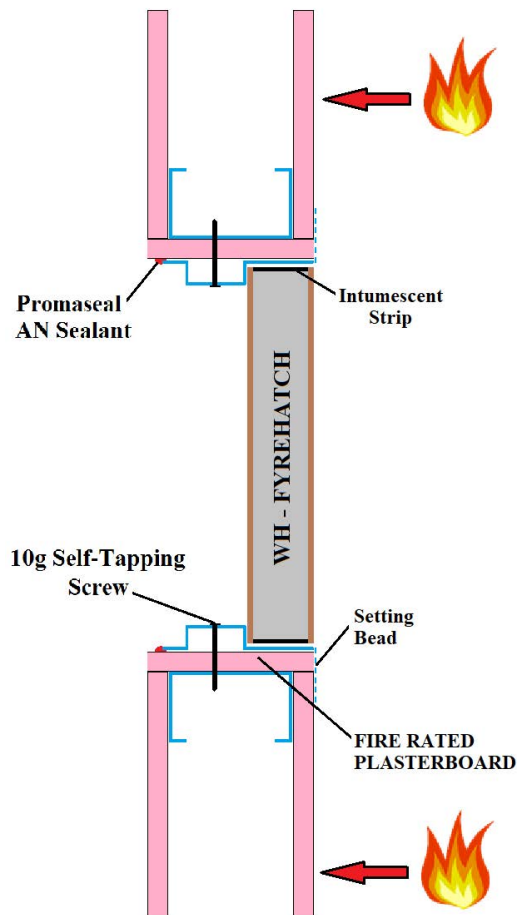
**NB: ALL FYREGUARD FIRE RATED ACCESS HATCHES ARE LABELED FOR EASE OF COMPLIANCE AND MAINTAINENCE MAINTAINENCE INSPECTIONS. LABELING IS IN ACCORDANCE WITH FPAA GOOD PRACTICE GUIDE AND AS4072.1**



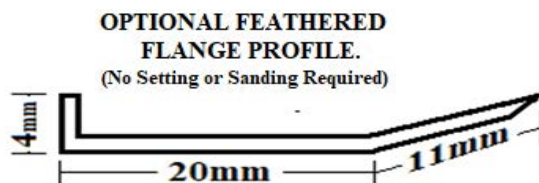
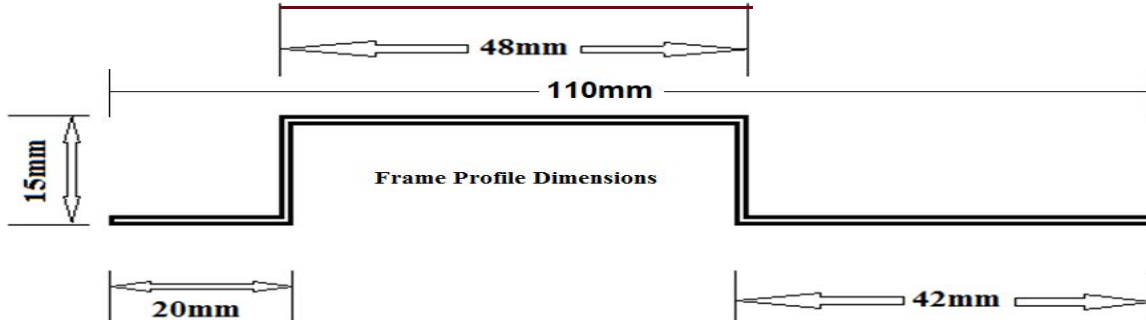
## INSTALLATION INSTRUCTIONS

### 90 MINUTE, WALL HINGED, FIRE RATED ACCESS HATCH FIXING DETAIL:

1. Mark out and cut opening in the wall. NB. Trimmed opening to be 4mm (Nom.) greater than hatch intended to be installed.
2. Frame opening with steel studs or trimmers. Ensure studs or trimmers are connected to studs or wall support system. Line the studs or trimmers with fire rated board of the same thickness as the fire exposed face.
3. Match access panel to the opening.
4. Open the hatch/panel and secure frame to the studs or trimmers with steel screws on all 4 sides of the hatch in the holes provided. For masonry installations use 60x6mm masonry anchors. For 'Set Bead' installations remove the hatch/panel and flush set. Return hatch/panel into the frame and test operation. Ensure the hinge screws are tightened.
5. While the hatch/panel is open apply fire rated mastic sealant to any gaps between the access hatch frame and the inside reveal of the wall opening.
6. Close the hatch/panel and engage the lock.



### ARCHITECTURAL DETAIL



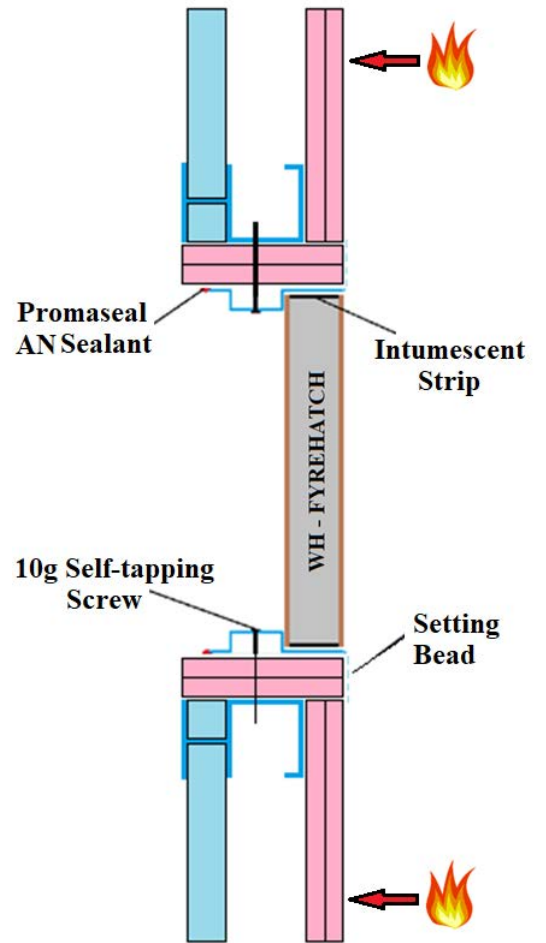
**NB: ALL FYREGUARD FIRE RATED ACCESS HATCHES ARE LABELED FOR EASE OF COMPLIANCE AND MAINTAINENCE MAINTAINENCE INSPECTIONS. LABELING IS IN ACCORDANCE WITH FPA GOOD PRACTICE GUIDE AND AS4072.1**



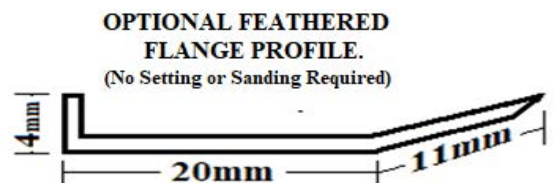
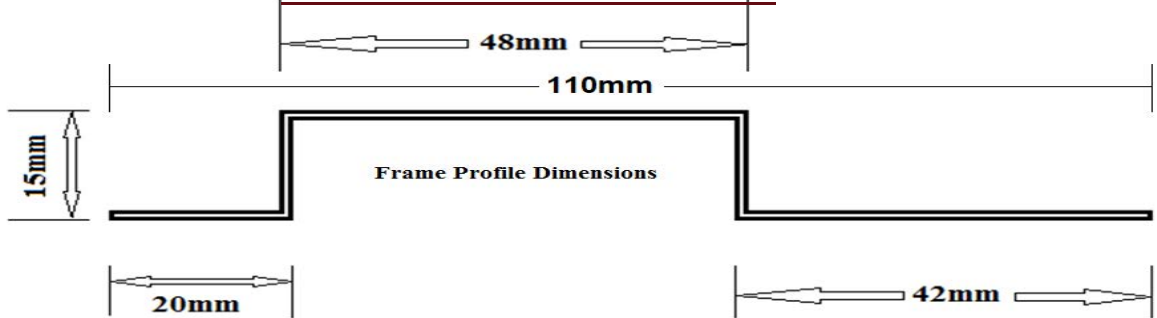
**INSTALLATION INSTRUCTIONS**

**90 MINUTE, WALL HINGED, FIRE RATED ACCESS HATCH FIXING DETAIL:**

1. Mark out and cut opening in the wall. NB. Trimmed opening to be 4mm (Nom.) greater than hatch intended to be installed.
2. Frame opening with steel studs or trimmers. Ensure studs or trimmers are connected to studs or wall support system. Line the studs or trimmers with fire rated board of the same thickness as the fire exposed face.
3. Match access panel to the opening.
4. Open the hatch/panel and secure frame to the studs or trimmers with steel screws on all 4 sides of the hatch in the holes provided. For masonry installations use 60x6mm masonry anchors. For 'Set Bead' installations remove the hatch/panel and flush set. Return hatch/panel into the frame and test operation. Ensure the hinge screws are tightened.
5. While the hatch/panel is open apply fire rated mastic sealant to any gaps between the access hatch frame and the inside reveal of the wall opening.
6. Close the hatch/panel and engage the lock.



**ARCHITECTURAL DETAIL**



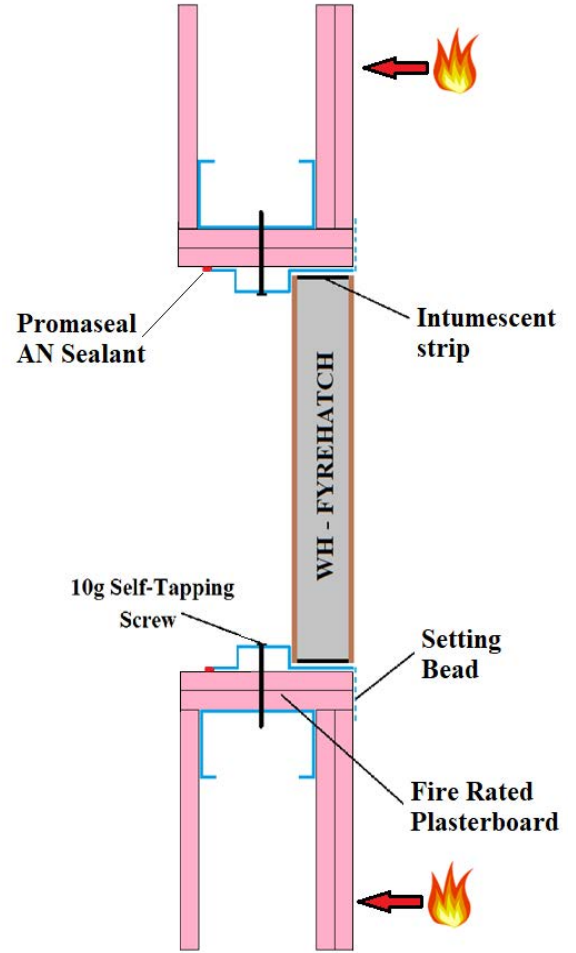
**NB: ALL FYREGUARD FIRE RATED ACCESS HATCHES ARE LABELED FOR EASE OF COMPLIANCE AND MAINTAINENCE MAINTAINENCE INSPECTIONS. LABELING IS IN ACCORDANCEWITH FPAA GOOD PRACTICE GUIDE AND AS4072.1**



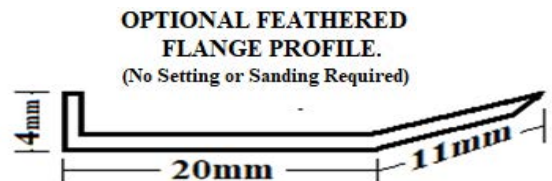
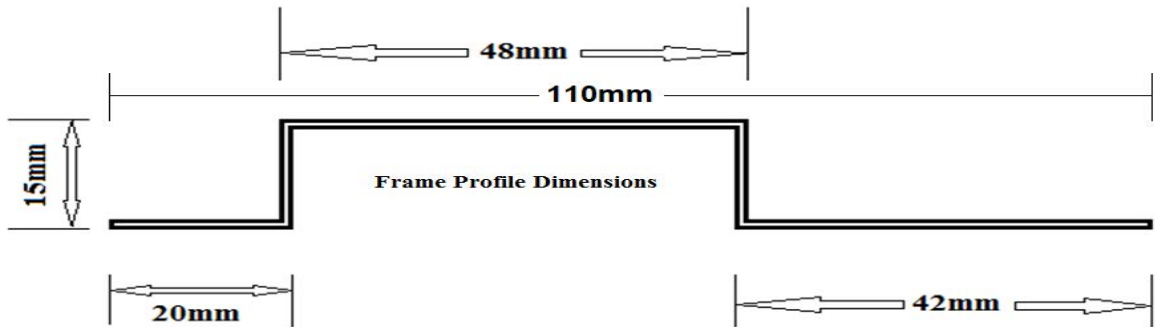
**INSTALLATION INSTRUCTIONS**

**90 MINUTE, WALL HINGED, FIRE RATED ACCESS HATCH FIXING DETAIL:**

1. Mark out and cut opening in the wall. NB. Trimmed opening to be 4mm (Nom.) greater than hatch intended to be installed.
2. Frame opening with steel studs or trimmers. Ensure studs or trimmers are connected to studs or wall support system. Line the studs or trimmers with fire rated board of the same thickness as the fire exposed face.
3. Match access panel to the opening.
4. Open the hatch/panel and secure frame to the studs or trimmers with steel screws on all 4 sides of the hatch in the holes provided. For masonry installations use 60x6mm masonry anchors. For 'Set Bead' installations remove the hatch/panel and flush set. Return hatch/panel into the frame and test operation. Ensure the hinge screws are tightened.
5. While the hatch/panel is open apply fire rated mastic sealant to any gaps between the access hatch frame and the inside reveal of the wall opening.
6. Close the hatch/panel and engage the lock.



**ARCHITECTURAL DETAIL**



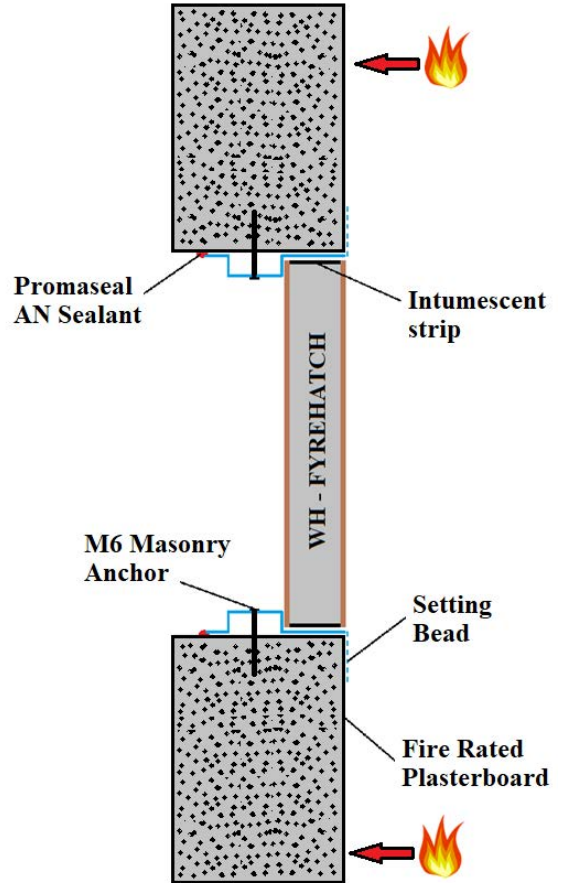
**NB: ALL FYREGUARD FIRE RATED ACCESS HATCHES ARE LABELED FOR EASE OF COMPLIANCE AND MAINTAINENCE MAINTAINENCE INSPECTIONS. LABELING IS IN ACCORDANCE WITH FPA GOOD PRACTICE GUIDE AND AS4072.1**



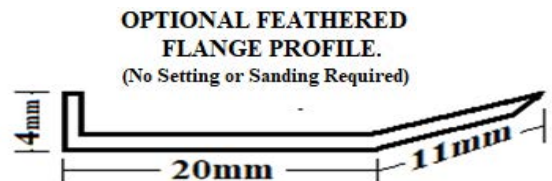
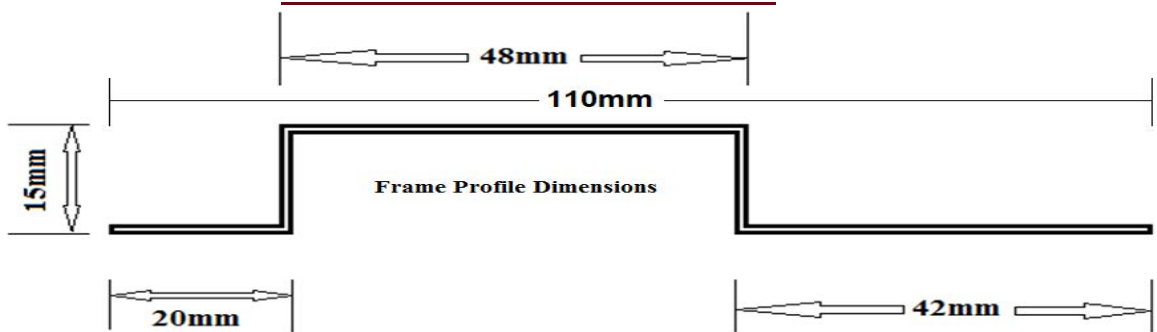
**INSTALLATION INSTRUCTIONS**

**90 MINUTE, WALL HINGED, FIRE RATED ACCESS HATCH FIXING DETAIL:**

1. Mark out and cut opening in the wall. NB. Trimmed opening to be 4mm (Nom.) greater than hatch intended to be installed.
2. Match access panel to the opening.
3. Open the hatch/panel and secure frame to the studs or trimmers with steel screws on all 4 sides of the hatch in the holes provided. For masonry installations use 60x6mm masonry anchors. For 'Set Bead' installations remove the hatch/panel and flush set. Return hatch/panel into the frame and test operation. Ensure the hinge screws are tightened.
4. While the hatch/panel is open apply fire rated mastic sealant to any gaps between the access hatch frame and the inside reveal of the wall opening.
5. Close the hatch/panel and engage the lock.



**ARCHITECTURAL DETAIL**



**NB: ALL FYREGUARD FIRE RATED ACCESS HATCHES ARE LABELED FOR EASE OF COMPLIANCE AND MAINTAINENCE MAINTAINENCE INSPECTIONS. LABELING IS IN ACCORDANCEWITH FPAA GOOD PRACTICE GUIDE AND AS4072.1**