

PROMASEAL® Floor Waste Cast-in Collar Installation Instructions



Floor waste collars help prevent the passage of fire and smoke through openings in compartment floors in the event of a fire. For installation of collars on permanent form work and in thin floor slabs (<150mm) please consult Promat. These collars are available in various models and their applications depend on the certification required for the building.

PROMASEAL® Floor Waste Cast-in Collars are designed to provide fire resistance function where floor wastes penetrate wet areas. The collars have been tested to AS 1530: Part 4: 2014 and AS 4072: Part 1: 2005 up to -/240/240 fire resistance for cast-in floor applications with the pipe fitting within the collar.

PROMASEAL® Floor Waste Cast-in Collars is available in one size and is suitable for 100mm uPVC and HDPE pipes. Minimum slab depth required is 150mm.

Installation method

Cast-in installation to concrete/masonry floors

Nail or screw the collar to the formwork through the ready holes along the collar's edge. Cut a piece of the pipe to similar size of the floor waste and push it firmly into the

collar opening until it touches the formwork. To achieve this, twist the pipe if necessary.

Ensure that the pipe is cut level and touching the formwork all around; it should be long enough to protrude above the proposed level of concrete. A puddle flange can be installed on top of the pipe at this stage.

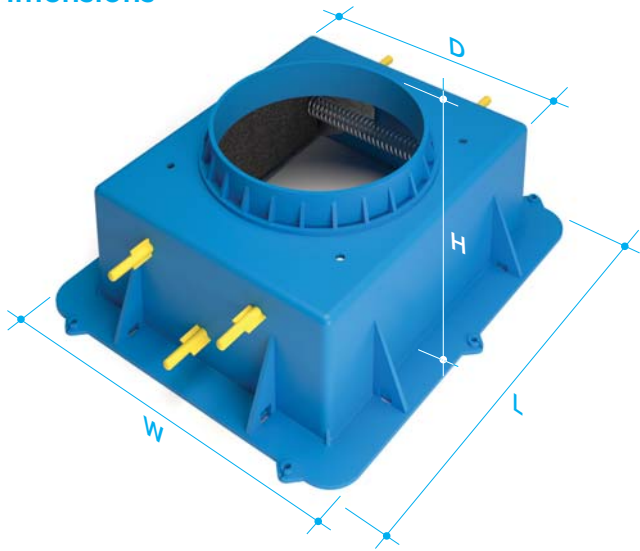
Once the formwork has been removed, the slurry protector may be removed from the underside.

Finally, cut the pipe to be level with the finished floor on top side and install the puddle flange (if not done earlier) along with the floor waste grate.

Typical specification

Where plastic pipes used for floor wastes are to be fire resistant, use PROMASEAL® Floor Waste Cast-in Collars as tested to AS 1530: Part 4: 2014 and AS 4072: Part 1: 2005 to maintain the required fire resistance level of the element. All details to be in accordance with the manufacturer's instructions. All work to be certified in an approved manner.

Dimensions



| Code no. | uPVC pipe | HDPE pipe | Body | | Flange | |
|----------|---------------|---------------|-------|-------|--------|-------|
| | | | D | H | W | L |
| FWC 100 | Nominal 100mm | Nominal 100mm | 148mm | 107mm | 190mm | 220mm |

Promat provides a wide range of systems for compartmentation, fire resistant air and cable ducts, structural steel protection, fire stopping and partitions. For assistance with any passive fire protection problems, contact the nearest Promat office.



Promat Australia Pty Ltd

www.promat.com.au

T 1800 PROMAT (776 628) E mail@promat.com.au

F (08) 8352 1014 (Head office) (02) 9630 0258 (New South Wales) 1800 334 598 (Victoria / Queensland)

an **etex** company