

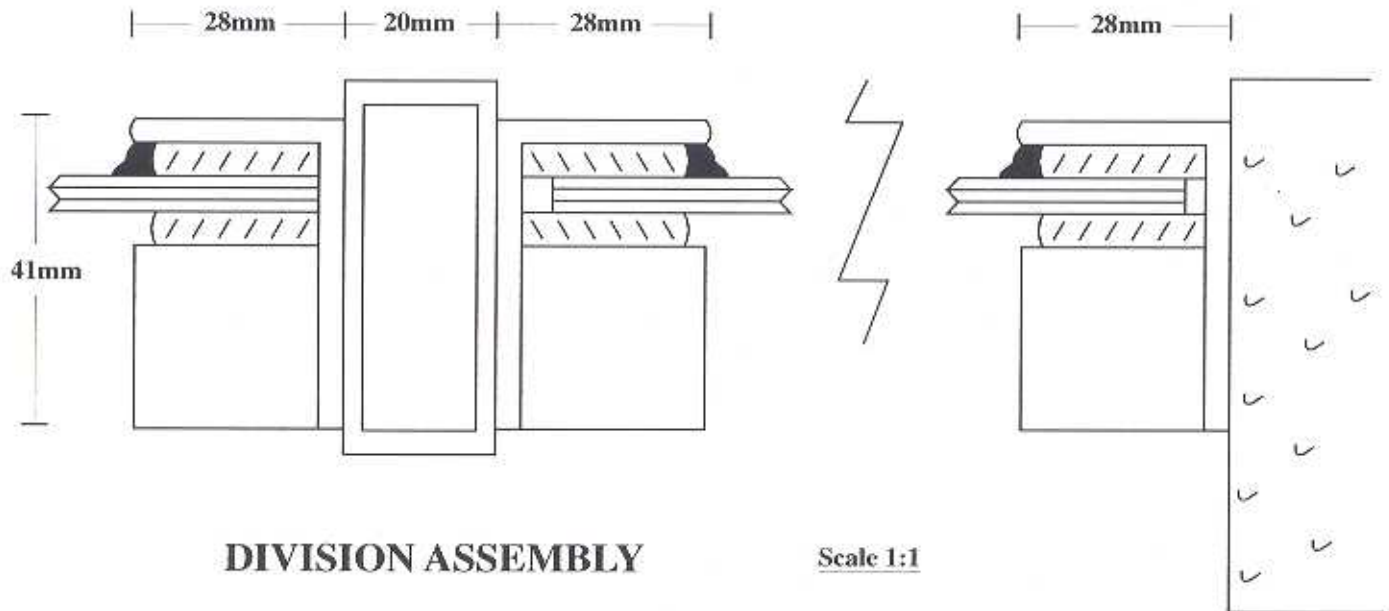


Fyreguard (Qld.) Pty. Ltd.

Specialists in Passive Fire Protection
A.C.N. 011 053 535

PO BOX 713
BURLEIGH HEADS
QUEENSLAND 4220

Slimline Fire Resistant Glazing Systems Fire Windows



Slimline Profile

Slimline Fire Rated Glazing Systems are designed to provide an architecturally pleasing small profile assembly for external and internal applications.

The frames are powder coated to selected colours and glazed with fire resistant glass in either standard, polished or obscure mist.

Windows are designed to be used in brick or blockwork, cavity or single skin walling, or walls of lightweight construction.

Approvals are held F.R.L.'s from -/60/- to -/120/-.

Single frame sizes up to 2440 x 1220mm and larger multiple frame systems are available.

Installation can be carried out by own experienced tradespeople and full certification is issued on completion of the installation.

Other Systems Include:-

Insulating Fire Windows up to -/120/120, glazed fire doors, non combustible/non shatterable glazed smoke reservoirs, non combustable rooflightes and automatic closing fire windows.

NILFIRE IS NOT RESPONSIBLE IF RECIPIENTS OF FIRE TEST REPORTS, ASSESSMENTS OR LITERATURE INCORRECTLY INTERPRET THE CONTENTS OR USE PRODUCTS BASED ON THOSE INTERPRETATIONS.

GOLD COAST OFFICE

2/8 Hampton Road
Burleigh Heads Qld 4220
Phone: (07) 5593 4955
Fax: (07) 5593 4349

BRISBANE OFFICE

178 Granite Street
Geebung Qld 4034
Phone: (07) 3865 4422
Fax: (07) 3265 5421