

FWR PROMASEAL® Floor Waste Collar (Retrofit Type) Installation Instruction

Floor waste collars help prevent the passage of fire and smoke through openings in compartment floors in the event of a fire. For installation of collars on permanent form work and in thin floor slabs (<150mm) always contact Promat. These collars are available in various models and the type used depends on the certification required for the building.

FWR PROMASEAL® Retrofit Floor Waste Collars are designed to provide fire resistance where floor wastes penetrate wet areas. The collars have been tested for retrofitting to floor applications.

When tested to AS1530: Part 4 and AS4072: Part 1 the FWR 100 with 100mm, 80mm and 50mm uPVC pipe and fitting achieved an FRL of at least -/240/120. If insulation criteria of greater than 120 minutes is required, please contact Promat.

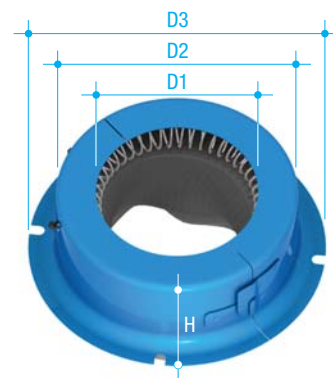
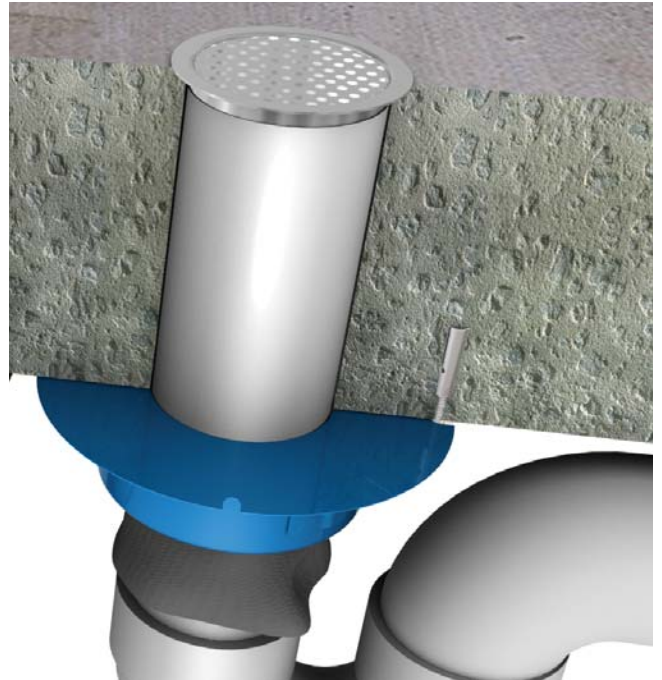
Installation Method

Unclip the collar at the join of the collar and pull apart the two sections far enough so that the collar can be placed around the pipe. Close the collar and re-clip. Fix the collar to the floor slab with minimum 4 no. 35mm x 6.5mm steel masonry anchors. The cloth skirt that can be seen in the collar must be pulled down to its full extent.

The FWR 100 type collar is designed to accommodate pipe fittings within the body of the collar.

Typical Specification

Where plastic pipes used for floor waste systems are to be fire rated, use FWR PROMASEAL® Retrofit Floor Waste Collars as tested to AS1530: Part 4 and AS4072: Part 1 to maintain the FRL of the element. All details in accordance with the manufactures instructions. All work to be certified in an approved manner.



Dimensions Guide

Code no.	uPVC pipe nominal (mm)	Body (mm)			Flange (mm)
		H	D1	D2	D3
FWR 100	100	70	110	167	209

NOTE: The FWR 100 type suits 100mm, 80mm and 50mm uPVC pipe with a fitting.