

## PROMASEAL® FR Services Seal Installation Instruction

The orange PROMASEAL® FR Services Seal is designed to be fixed to the formwork prior to pouring concrete floor slabs to provide openings in floor slabs for various combustible services penetrations.

The orange PROMASEAL® FR Services Seal is available in 1 size, PSS100, to accommodate multiple or single services.

The orange PROMASEAL® FR Services Seal sits firmly in position whilst the concrete floor slab is poured. To install, firstly ensure the FR Services Seal sits flat on the formwork and then nail the FR Services Seal to the formwork through slots in the flange. This eliminates the necessity to core through the floor slab saving time and money.

The orange PROMASEAL® FR Services Seal leaves a neat appearance after stripping and prevents the exposure and cutting of the steel reinforcement caused by coring. Trim off any the FR Services Seal that extends above the slab.

After the installation of the services, backfill the FR Services Seal with a mortar mix to the full height of the floor slab.

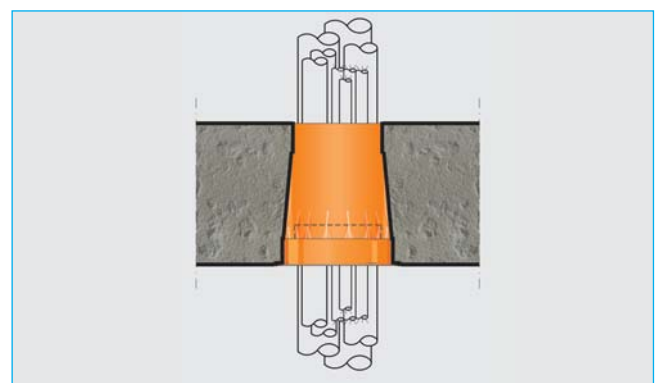
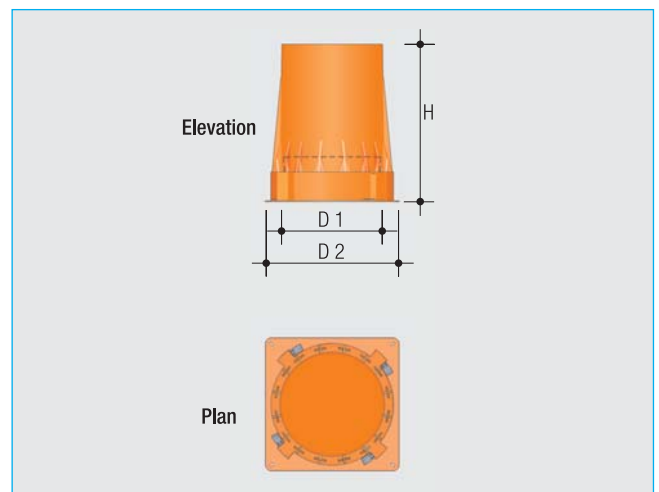
Code	H	D 1	Maximum service size	D 2
PSS100	250mm	140mm	120mm*	198mm

### Fire rating of Penetrations

The orange PROMASEAL® FR Services Seal has been tested to AS 1530: Part 4 with the following combustible services passing through and achieved an FRL of -/240/120 with the following services:

- 19mm copper pipes with 20mm Armaflex FR Insulation;
- electrical cables;
- 40mm uPVC pipe; and
- 20mm uPVC electrical conduit.

Please check with Promat for approval of services before installation



Promat provides a wide range of systems for compartmentation, fire rated air and cable ducts, structural steel protection, fire stopping and partitions.

For assistance with any ProActive Fire Protection problems, contact your local distributor.

#### Promat Asia Pacific Organisations

- AUSTRALIA +1 800 30 20 20
- INDIA +91 (11) 2433 1594

- CHINA +86 (20) 8136 1167 / +86 (10) 6583 6102
- MALAYSIA +60 (3) 6250 2880

[www.promat-ap.com](http://www.promat-ap.com)

- HONG KONG +852 2836 3692
- SINGAPORE +65 6776 7635