



# Fyreguard

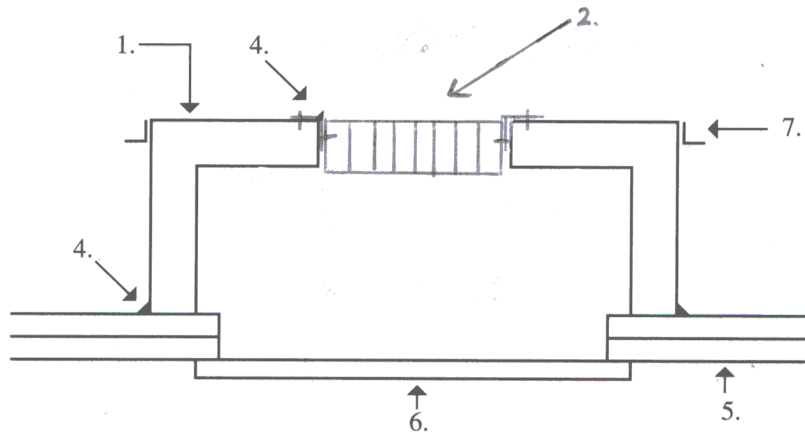
Specialists in  
Passive Fire  
Protection

Product Data Sheet

**Fyreguard Fire Rated Ventilation  
Ceiling Duct Enclosure  
FRL 60/60/60**

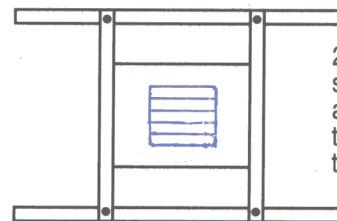
Sheet No.:  
FCDE-99

## FYREGUARD FIRE RATED VENTILATION CEILING DUCT ENCLOSURE. FRL 60/60/60



### Legend

1. Fire Rated Box
2. Lorient LVH-44 FIRE DAMPER.
4. Promaseal Mastic
5. Fire Rated Plasterboard Ceiling
6. Grill - supplied separately
7. 25x25mm Steel Angle



25x25mm Steel Angle  
screwed to Duct enclosure  
and to ceiling joist  
to independently support  
the unit from the ceiling.

### Description

The Fyreguard Fire Rated Ventilation Ceiling Duct Enclosure is designed to maintain the integrity and insulation of a fire rated ceiling when ventilation grills are required.

### Installation

The enclosure must be fitted with either 25x25mm steel angles which span standard 600 centre trusses, or joists/trimmers must be installed and fixed to the fire rated box to support the enclosure independently of the ceiling. The enclosure is then screwed to the angles, trusses, joists or trimmers. A vent grill (not supplied) is then installed to the underside of the ceiling. Fire rated mastic is then applied to the perimeter of the enclosure where it connects to the ceiling, and around the uPVC Pipe where it passes through the top of the enclosure.

### Specification

Install the Fyreguard Fire Rated Ventilation Ceiling Duct Enclosure as per drawing and manufactures instructions. Ensure the enclosure weight is not taken by the ceiling and all work must be certified by the installer in an approved manner.

### Fire Test Data

This product meets the requirements of Australian Standard AS1530.4 and attained an FRL 60/60/60.

### More Data

For more data on ventilation ceiling ducts, or if your particular requirements are not addressed contact you nearest Fyreguard Qld Office. We reserve the right to change specifications without notice.

FYREGUARD QLD PTY LTD IS NOT RESPONSIBLE IF RECIPIENTS OF FIRE TEST REPORTS, ASSESSMENTS OR LITERATURE INCORRECTLY INTERPRET THE CONTENTS OR USE PRODUCTS BASED ON THOSE INTERPRETATIONS.

### GOLD COAST OFFICE

2/8 Hampton Road  
Burleigh Heads Qld 4220  
Phone: (07) 5593 4955  
Fax: (07) 5593 4349

### BRISBANE OFFICE

178 Granite Street  
Geebung Qld 4034  
Phone: (07) 3865 4422  
Fax: (07) 3265 5421